



**RRP**  
HYDRAULICS

# Cup Stone Grinder

BUILT-TO-LAST HYDRAULIC TOOLS FROM RACINE RAILROAD PRODUCTS

## Operator Comfort & Safety

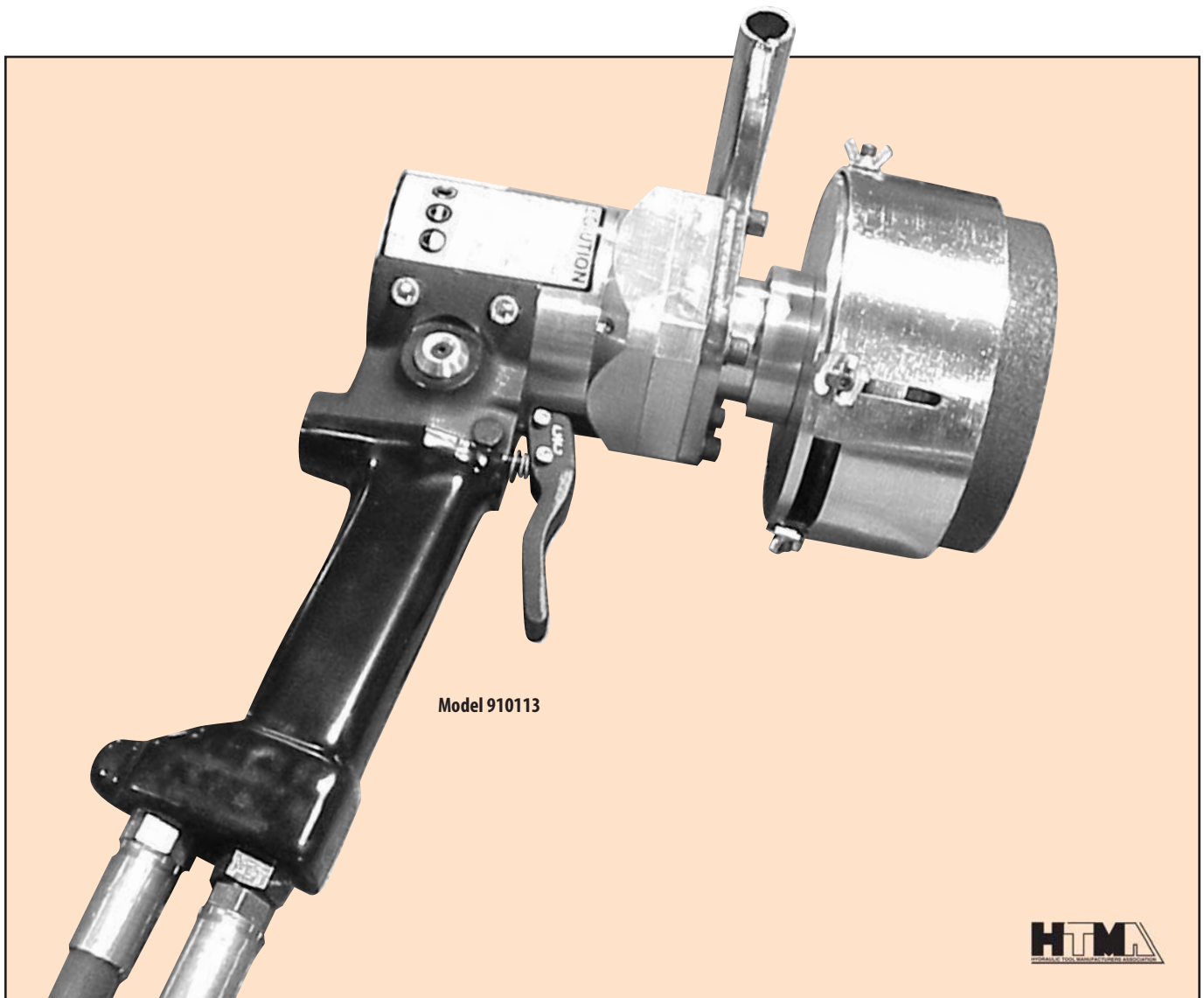
Designed for excellent operator control. Adjustable guard shields operator from sparks. Overspeed valve protects motor and stone from excessive RPM. Assist handle provides good control and leverage.

## Lightweight & Powerful

Weighing 10 lbs (less stone), the powerful 10 GPM motor @ 2000 PSI delivers plenty of grinding power for most grinding applications.

### Model 910113

Flow	10 GPM
Pressure	2000 PSI
Height	116 in.
Width	13 in.
Length	8 in.
Weight	10 lbs.



Model 910113



Visit our web site: [www.racinerailroad.com](http://www.racinerailroad.com)

For a complete list of specifications and machine options available, contact  
Racine Railroad Products at: Tel (262) 637-9681 • Fax (262) 637-9069 • email: [custserv@racinerailroad.com](mailto:custserv@racinerailroad.com)  
1524 Frederick Street • Racine, Wisconsin 53404